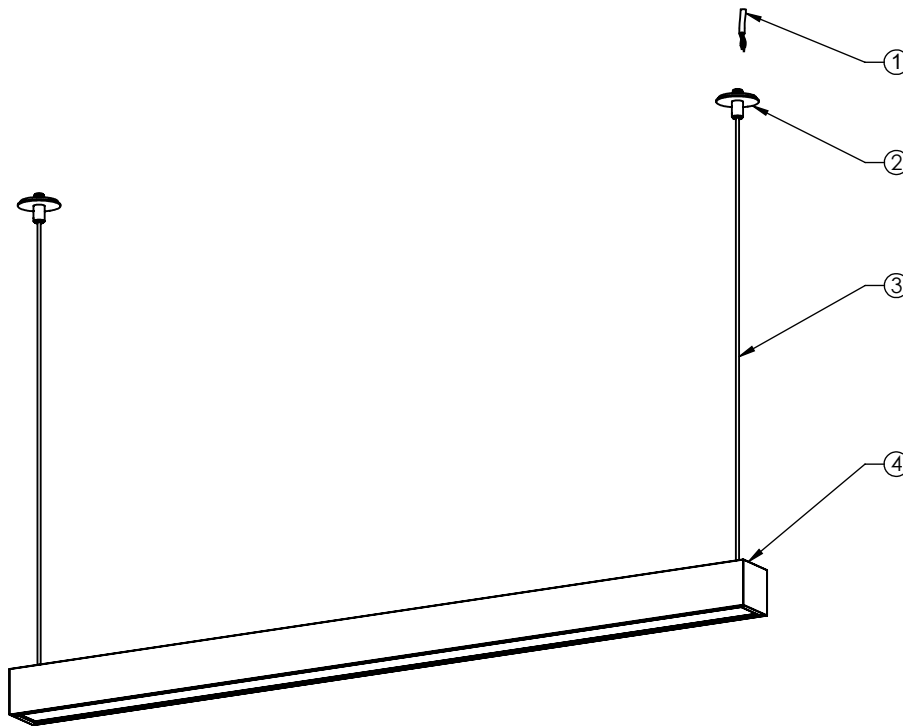
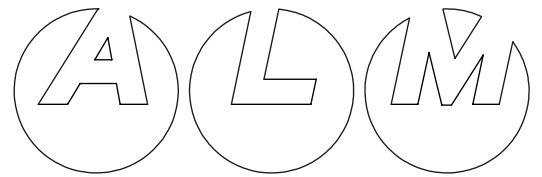


Linea 50

PENDANT

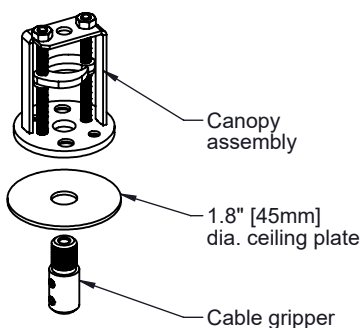
INSTALLATION INSTRUCTIONS



NOTE:
See cut sheet for power feed entry point(s).

1	Power feed (by others)
2	Canopy assembly
3	Flexible power cord
4	Fixture assembly

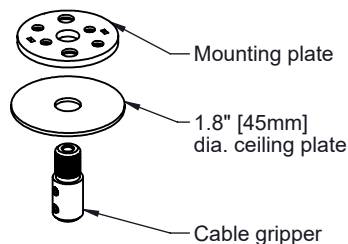
Hard Ceiling Canopy - Plasterboard



- Cut out a 1-3/8" [35mm] dia. hole at previously marked suspension point.
- Bring the power cord from the fixture assembly through the cable gripper, ceiling plate and canopy assembly.
- Splice the wires as required. Wires for connection are clearly labeled.
- Secure the canopy assembly to the ceiling by tightening the captive screws. This will lower and lock the claws onto the ceiling.
- Slide the ceiling plate and cable gripper up and screw into the canopy assembly.
- Level the fixture and secure the power cord with the set screws on the cable gripper.

Note: If used as suspension only, follow the same steps as above except for electrical connection.

Hard Ceiling Canopy - Concrete/Wood/Metal



- Drill a 1/2" [13mm] dia. hole at previously marked suspension point.
- Bring the power cord from the fixture assembly through the cable gripper, ceiling plate and mounting plate.
- Splice the wires as required. Wires for connection are clearly labeled.
- Mount the mounting plate to the ceiling using hardware provided.
- Slide the ceiling plate and cable gripper up and screw into the canopy assembly.
- Level the fixture and secure the power cord with the set screws on the cable gripper.

Note: If used as suspension only follow the same steps as above except for electrical connection.

INSTRUCTIONS:

- Mark the position of the fixture suspension points as specified on the cut sheet.
- Mount canopy kits to ceiling, see instructions for details on various canopy options.
- Energize.

GENERAL NOTE:

- * Turn power off before beginning.
- * Do not connect to an ungrounded supply.
- * Consult a qualified electrician to ensure correct branch circuit conductor.
- * This product must be installed in accordance with the applicable installation code by a person familiar with the construction and operation of the product and the hazards involved.
- * Save these instructions.